

## 2 Port HDMI Splitter

AC-1710



**User manual**

## ■ Introduction

1×2 HDMI splitter distributes 1 HDMI source to 2 HDMI displays simultaneously. It offers HD video solution for HDTV/STB/DVD/Projector/DVR in homes, retail, conference room presentation, education and training, etc.

## ■ Features

1. 1 HDMI input signal split to 2 HDMI devices.
2. HDCP 1.4 protocol compliant.
3. 3D HDMI 1.4a video format support.
4. 3D video support including Frame packing for all 3D formats up to a 297MHz TMDS clock.
5. Support display resolutions up to 4K x 2K@30Hz,1080P@120Hz,and 1080P 3D@60Hz
6. Support deep color 30bit, 36bit, 48bit per pixel.
7. Digital audio format, as DTS-HD/Dolby-true-HD/LPCM 7.1/DTS/Dolby-AC3/DSD.

## ■ Package

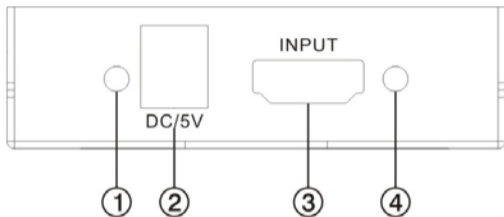
1. HDMI Splitter ----- 1PCS
2. 5V1A DC Power Supply adaptor ----- 1PCS
3. Operation Manual ----- 1PCS

## ■ Specifications

1. Frequency Bandwidth 2.97Gbps
2. HDMI Splitter Input Ports 1 x HDMI Female input port
3. HDMI Splitter Output Ports 2 x HDMI Female output ports
4. Power Supply DC 5V 1A
5. ESD Protection Human Body Model:  $\pm 8\text{kV}$  (air-gap discharge)  
 $\pm 4\text{kV}$  (contact discharge)
6. Dimensions (mm) 60(W) X 70 (D) X 20 (H)

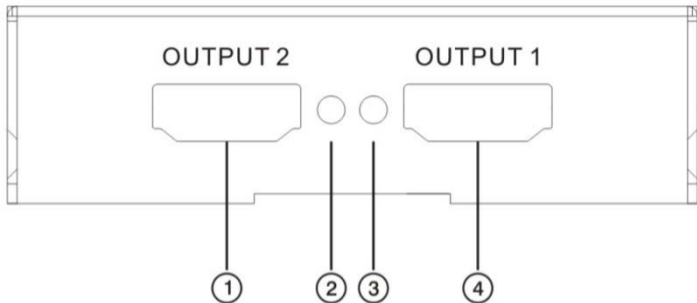
## ■ Operation controls and Functions

### Front Panel



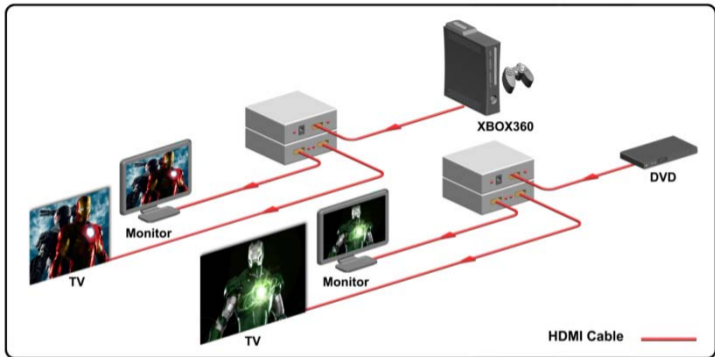
1. **POWER LED:** This red LED illuminates when the device is connected with power supply.
2. **DC 5V:** Plug the 5V DC power supply into the unit and connect the adaptor to an AC wall outlet.
3. **HDMI INPUT:** This socket connects to a HDMI source output, i.e. from a DVD player, Game console, etc.
4. **INPUT LED:**

## Rear Panel



1. **OUTPUT 2:** This socket connects to a HDTV or monitor with a HDMI cable.
2. **OUTPUT 2 LED:** This red LED illuminates when a TV/monitor is connected to this output.
3. **OUTPUT 1 LED:** This red LED illuminates when a TV/monitor is connected to this output.
4. **OUTPUT 1:** This socket connects to a HDTV or monitor with a HDMI cable.

## ■ Application Example



**IMPORTANT:**

- Never attempt to open, repair or modify any part of this unit or its accessories.
- Never get any part of the device or its accessories wet.
- Failure to adhere to these points will result in a void of warranty.