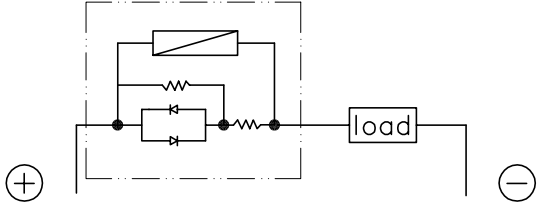
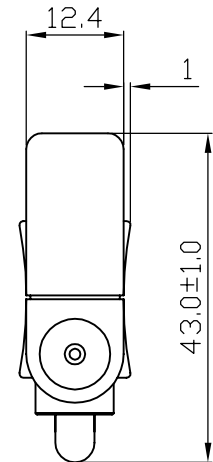
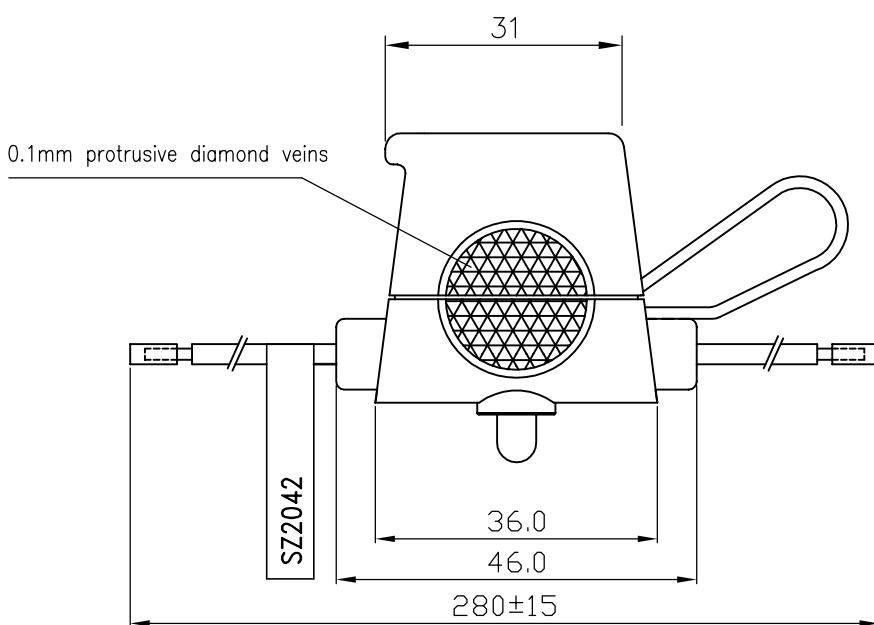
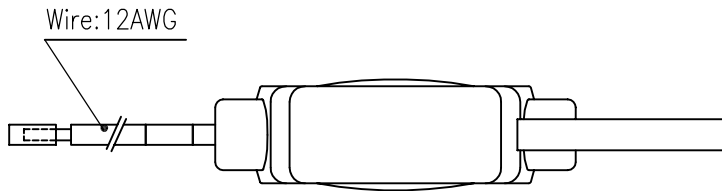
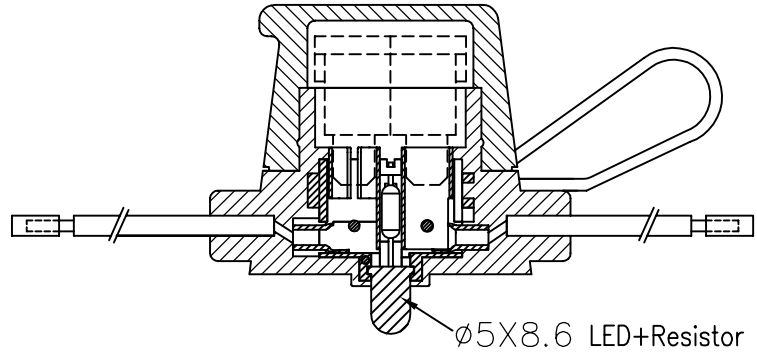


Rating	30A 12VDC~24VDC	Circuit Diagram 
Insulation Resistance	DC 500V 100M ohm Min.	
Dielectric Strength	AC 1000V 1 minute	
Operation Temperature	-20°C~85°C	

Material:

Body: PVC(T105°C)

Terminal: tin plated brass.



SZ2042	30A/12AWG
--------	-----------

Label

Note:

TOLERANCE: $\pm 0.5\text{mm}$ UNLESS OTHERWISE SPECIFIED.

Model Name FUSE HOLDER

Model No. **SZ2042**

Unit mm