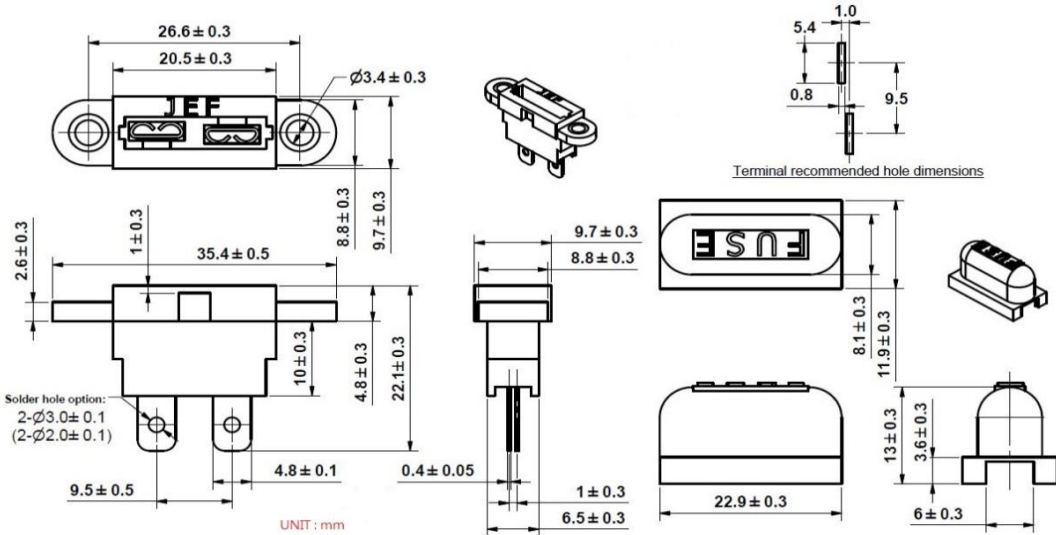


PHOTO-TOP

Product name : ATP PANEL MOUNT FUSE HOLDER

SPECIFICATION :

- *Applicable: for ATP blade fuse,ATO blade fuse, ATC blade fuse
- *Electrical: Max. 30A 32V
- *Insulation Body: PA66
- *Contcat: Tin plated Brass



*If changed without any notice advance.

Product name	Part number	Formulation date	Edition	Manufacture	Verification	Approving
ATP PANEL MOUNT FUSE HOLDER	C001-028-0001	2015.04.28	A	Paul	Harvey	Rober

Photo-Top Technologies Co., Ltd.

30078. 1F.,No.36,Bade-De Rd., HsinChu, Taiwan , R.O.C.

Tel: +886-3-5611389 Fax: +886-3-5612845

Email: sales@photosphere.com.tw Website: www.photo-top.com.tw

PHOTO-TOP

AWG	外径		截面积 (mm ²)	电阻值 (Ω/km)	正常电流 (A)	最大电流 (A)	AWG	外径		截面积 (mm ²)	电阻值 (Ω/km)	正常电流 (A)	最大电流 (A)
	公制mm	英制inch						公制mm	英制inch				
0000	11.68	0.46	107.22	0.17	423.2	482.6	22	0.643	0.0253	0.3247	54.3	1.280	1.460
000	10.4	0.4096	85.01	0.21	335.5	382.6	23	0.574	0.0226	0.2588	48.5	1.022	1.165
00	9.27	0.3648	67.43	0.26	266.2	303.5	24	0.511	0.0201	0.2047	89.4	0.808	0.921
0	8.25	0.3249	53.49	0.33	211.1	240.7	25	0.44	0.0179	0.1624	79.6	0.641	0.731
1	7.35	0.2893	42.41	0.42	167.4	190.9	26	0.404	0.0159	0.1281	143	0.506	0.577
2	6.54	0.2576	33.62	0.53	132.7	151.3	27	0.361	0.0142	0.1021	128	0.403	0.460
3	5.83	0.2294	26.67	0.66	105.2	120.0	28	0.32	0.0126	0.0804	227	0.318	0.362
4	5.19	0.2043	21.15	0.84	83.5	95.2	29	0.287	0.0113	0.0647	289	0.255	0.291
5	4.62	0.1819	16.77	1.06	66.2	75.5	30	0.254	0.01	0.0507	361	0.200	0.228
6	4.11	0.162	13.3	1.33	52.5	59.9	31	0.226	0.0089	0.0401	321	0.158	0.181
7	3.67	0.1443	10.55	1.68	41.6	47.5	32	0.203	0.008	0.0316	583	0.128	0.146
8	3.26	0.1285	8.37	2.11	33.0	37.7	33	0.18	0.0071	0.0255	944	0.101	0.115
9	2.91	0.1144	6.63	2.67	26.2	29.8	34	0.16	0.0063	0.0201	956	0.079	0.091
10	2.59	0.1019	5.26	3.36	20.8	23.7	35	0.142	0.0056	0.0169	1200	0.063	0.072
11	2.3	0.0907	4.17	4.24	16.5	18.8	36	0.127	0.005	0.0127	1530	0.050	0.057
12	2.05	0.0808	3.332	5.31	13.1	14.9	37	0.114	0.0045	0.0098	1377	0.041	0.046
13	1.82	0.072	2.627	6.69	10.4	11.8	38	0.102	0.004	0.0081	2400	0.032	0.036
14	1.63	0.0641	2.075	8.45	8.2	9.4	39	0.089	0.0035	0.0062	2100	0.025	0.028
15	1.45	0.0571	1.646	10.6	6.5	7.4	40	0.079	0.0031	0.0049	4080	0.019	0.022
16	1.29	0.0508	1.318	13.5	5.2	5.9	41	0.071	0.0028	0.004	3685	0.016	0.018
17	1.15	0.0453	1.026	16.3	4.1	4.7	42	0.064	0.0025	0.0032	6300	0.013	0.014
18	1.02	0.0403	0.8107	21.4	3.2	3.7	43	0.056	0.0022	0.0025	5544	0.010	0.011
19	0.912	0.0359	0.5667	26.9	2.6	2.9	44	0.051	0.002	0.002	10200	0.008	0.009
20	0.813	0.032	0.5189	33.9	2.0	2.3	45	0.046	0.0018	0.0016	9180	0.006	0.007
21	0.724	0.0285	0.4116	42.7	1.6	1.9	46	0.041	0.0016	0.0013	16300	0.005	0.006

Photo-Top Technologies Co., Ltd.

30078, 1F., No.36, Bade-De Rd., HsinChu, Taiwan, R.O.C.

Tel: +886-3-5611389 Fax: +886-3-5612845

Email: sales@photosphere.com.tw Website: www.photo-top.com.tw